

**FOR BOROUGH OFFICE USE ONLY- DO NOT WRITE IN THIS BLOCK**

Property Address: \_\_\_\_\_ Permit #: \_\_\_\_\_ Res/Com: \_\_\_\_\_  
Applicant Name: \_\_\_\_\_ Property ID #: \_\_\_\_\_

# **BOROUGH of CATASAUQUA**

90 BRIDGE STREET, CATASAUQUA, PA 18032

PH: 610-264-0571 FAX: 610-264-8228

EMAIL: [INFO@CATASAUQUA.ORG](mailto:INFO@CATASAUQUA.ORG)

## **PERMIT APPLICATION PACKET**

### **Submission Checklist**

- Application Fee/Plan Review Fee (\$50, will be applied to total cost of Permit; non-refundable)
- Application completed in ink and signed by **applicant and property owner** if the applicant is not the property owner or provide written authorization from the owner to act as their agent.
- Completed plot plan with all required information attached. (Please refer to sample provided)
- (3) Sets of detailed Construction Plans as applicable for all new construction, including additions and decks.
- Ground Coverage Percentage for new primary structures and/or additions to primary structures (impervious coverage divided by lot area), if applicable
- Contractor Certificate of Insurance naming Catasauqua Borough as certificateholder
- Workers Compensation Certificate of Insurance or Completed & Notarized WC Exemption Form (See attached Form).
- Height and size of structure specified on application where indicated.
- Parcel ID number and property address
- Contact person and phone number
- Copy of recorded deed (if required)
- Copy of Septic or Sewage Approval Permit (if required)
- Copy of Water Supply Approval/Permit (if required)
- Copy of Driveway Permit (if required)
- Highway Occupancy Permit (if required)
- County Conservation District Approval (if required)
- Copy of Storm Water Approval/Permit (if required)
- Copy of Elevation Certificate (if required)
- All Property lines and proposed location of structure(s) must be marked on the site prior to submitting the application.
- Copy of signed contract detailing project and cost of Construction.

**WORKER'S COMPENSATION INSURANCE COVERAGE INFORMATION**  
(attach to building permit application)

A. The applicant is a contractor within the meaning of the *Pennsylvania Worker's Compensation Law*.

\_\_\_ Yes \_\_\_ No

If the answer is "yes", complete Section B or C  
If the answer is "no" complete Section C below.

B. Insurance Information:

Name of Applicant \_\_\_\_\_

Federal or State Employer Identification No. \_\_\_\_\_

Applicant is a qualified self-insurer for Workers' Compensation

\_\_\_ Original Certificate attached.

Name of Workers' Compensation insurer \_\_\_\_\_

Workers' Compensation Insurance Policy No. \_\_\_\_\_

\_\_\_ Original Certificate attached.

**Policy Expiration Date**



C. Exemption. **MUST BE NOTARIZED...**

Complete Section C if the applicant is a contractor or homeowner claiming exemption from providing Workers' compensation issuance.

The undersigned swears or affirms that he/she is not required to provide workers' compensation insurance under the provisions of Pennsylvania's Workers' Compensation Law for one of the following reasons, as indicated.

\_\_\_ Contractor with no employees. Contractor prohibited by Law from employing any individual to perform work pursuant to this building permit unless contractor provides proof of insurance to the Township.

\_\_\_ Homeowner who elects to perform all of the work without contracting or hiring others to assist.

\_\_\_ Religious exemption under Worker' Compensation Law.

Signatures of applicant: \_\_\_\_\_

Address: \_\_\_\_\_

Commonwealth of Pennsylvania County of \_\_\_\_\_

**On this, the \_\_\_ day of \_\_\_\_\_, 20\_\_\_, before me \_\_\_\_\_ the undersigned officer, personally appeared \_\_\_\_\_, known to me (or satisfactorily proven) to be the person whose name subscribed to the within instrument and acknowledged that she/he executed the same for the purposes therein contained.**

In witness whereof, I hereunto set my hand and official seal.

\_\_\_\_\_  
Notary Public



**Code Services**

**BARRY ISETT & ASSOCIATES**  
Multidiscipline Engineers & Consultants

www.barryisett.com

**\*\* OFFICE USE ONLY \*\***

Date Received: \_\_\_\_\_  
Zoning District: \_\_\_\_\_  
Tax Parcel No.: \_\_\_\_\_  
Zoning Permit No.: \_\_\_\_\_  
UCC Permit No.: \_\_\_\_\_

**PERMIT APPLICATION**

Zoning     PAUCC Construction

Application is hereby made for a permit in conformity with requirements of the PA UCC, Pennsylvania Municipalities Planning Code, Current Local Zoning Ordinance and any amendments thereto for the following described work:

**I. PROPERTY INFORMATION**

Residential:     One Family     Two Family     Manufactured     Non-Residential

Municipality: \_\_\_\_\_ Development: \_\_\_\_\_ Lot: \_\_\_\_\_ Section: \_\_\_\_\_

Proposed Work Site Address: \_\_\_\_\_ Tax Parcel ID: \_\_\_\_\_

Lot Width: \_\_\_\_\_ Lot Depth: \_\_\_\_\_ Lot Size: \_\_\_\_\_  
(Acres or Sq.ft.)

Property within Floodplain     Yes     No    If Yes, Market Value of Property: \_\_\_\_\_

Do you have an elevation certificate     Yes     No    If Yes, please attach a copy with submission

Property located in Historic District     Yes     No    If Yes, also complete the Application for COA

**II. CONTACT INFORMATION**

Applicant: \_\_\_\_\_ email: \_\_\_\_\_

Mailing Address: \_\_\_\_\_ City: \_\_\_\_\_ State: \_\_\_\_\_ Zip: \_\_\_\_\_

Phone: \_\_\_\_\_ Phone: \_\_\_\_\_ Fax: \_\_\_\_\_

*(If different than Applicant)*

Property Owner: \_\_\_\_\_ email: \_\_\_\_\_

Mailing Address: \_\_\_\_\_ City: \_\_\_\_\_ State: \_\_\_\_\_ Zip: \_\_\_\_\_

Phone: \_\_\_\_\_ Phone: \_\_\_\_\_ Fax: \_\_\_\_\_

Contractor: \_\_\_\_\_ email: \_\_\_\_\_

Mailing Address: \_\_\_\_\_ City: \_\_\_\_\_ State: \_\_\_\_\_ Zip: \_\_\_\_\_

Phone: \_\_\_\_\_ Phone: \_\_\_\_\_ Fax: \_\_\_\_\_

**III. CONSTRUCTION**

Erect a Structure     Principal     Accessory    Size (length, width and height) i.e. 20' L, 15' W, 12' H: \_\_\_\_\_

Add to a Structure     Principal     Accessory    Size (length, width and height) i.e. 20' L, 15' W, 12' H: \_\_\_\_\_

Change of Use    Existing: \_\_\_\_\_ Proposed: \_\_\_\_\_

Erect a Fence    Height: \_\_\_\_\_ (feet)     Install a Swimming Pool     In-ground     Above-ground

Erect a Sign (Provide sign proof along with plot plan)     Sign Copy Change (Provide sign proof)

Type:     Wall Mounted     Ground     Roof     Other (Please Specify): \_\_\_\_\_

Height (distance from top of sign to ground): \_\_\_\_\_ (feet)    Size (length and height of sign face) i.e. 6' L x 18" H: \_\_\_\_\_

Off-street Parking Area or Parking Lot     Establish a Home Occupation

Other (Please Specify): \_\_\_\_\_

**IV. PROJECT DESCRIPTION** Provide a narrative which explains the proposed project based upon the items checked in the previous section (III)

Cost of Construction: \_\_\_\_\_

Street Access:  Municipal  State  Other

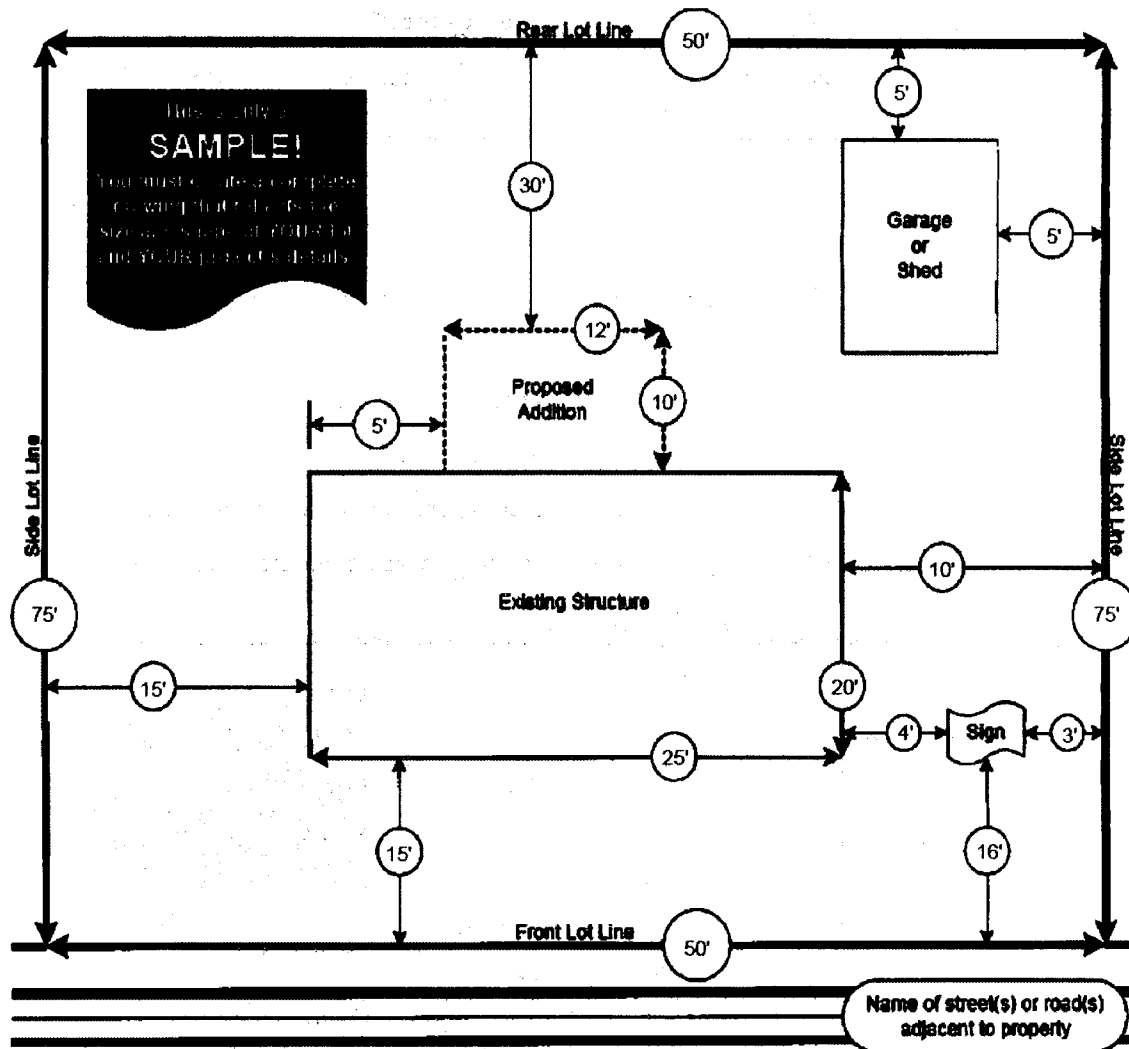
Sewage Disposal:  Public Sewer  On-Lot

Water Supply:  Public Sewer  On-Lot

**V. PLOT PLAN**

PLEASE INCLUDE THE FOLLOWING:

1. Indicate the length of all property lines
2. Show all existing and proposed structures on property and the distance from the structure to the property lines
3. Indicate name of streets abutting property
4. Identify all bodies of water and show distance to proposed structure(s)
5. Show septic, well, driveway locations and distance from new structure to septic
6. Label distances from principal structure to proposed accessory structure(s)
7. Physically mark property lines & proposed location of structure onsite prior to submitting zoning application

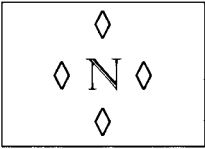


**IMPERVIOUS COVERAGE**

Proposed: \_\_\_\_\_ (Sq.ft.)

Existing: \_\_\_\_\_ (Sq.ft.)

Address: \_\_\_\_\_



**PLOT PLAN**

*\* A survey or other prepared plot plan can be attached, in lieu of this sketch sheet.*

Approved by: \_\_\_\_\_

Date: \_\_\_\_\_ Permit No.: \_\_\_\_\_

**VI. UCC CONSTRUCTION PERMIT**

Design Professional in Responsible Charge:

PA License:

Person in Charge of Work:

email:

Mailing Address:

City:

State:

Zip:

Phone:

Phone:

Fax:

**VII. CONSTRUCTION DATA**

No. Stories Above Grade: Basement Y N

Construction Sq. Ft:

**VIII. OTHER PERMITS**

Mechanical \$ Fire Suppression \$

Electrical \$ No. of Devices:

Plumbing \$ No. of Fixtures:

**IX. ELECTRIC SERVICE**

Residential

Non-Residential

New Service

Upgrade

Other:

PPL

UGI

PECO

MET ED

Other

Work Permit No.:

Overhead

Meter No.:

Phase:

Voltage:

Amps:

Underground

**X. APPLICANT'S CERTIFICATION**

As the owner or the authorized agent of the project for which this application is filed, I certify that:

1. The estimated construction cost and all other information provided as part of this application for a building permit is correct.
2. The building or structure described in this application will not be occupied until all known code violations are corrected and a Certificate of Occupancy has been received from Building Code Official.
3. This project will be constructed in accordance with the approved drawings and specifications (including any required non- design changes) and the Uniform Construction Code standards as specified in 34 PA Code Chapters 401-405.
4. Any changes to the approved documents will be filed with the Building Code Official.
5. If the licensed architect or engineer in responsible charge of this construction should change, written notice of the change will be provided to the Building Code Official.
6. When required, up to 20% of the total cost of any work performed on an area of primary function in an existing building will be expended to provide an accessible route to the area of primary function or other approved accessibility improvements.
7. No error or omission in either the drawings and specifications or application, whether approved or not, shall permit or relieve me from constructing the work in any manner other than provided for in 34 PA Code Chapters 401-405.

I hereby authorize the Municipality Staff to perform inspections related to this application as may be required between the hours of 8 AM and 8 PM. The applicant understands and agrees to comply with the Pennsylvania Municipal Planning Code and Zoning Ordinance, as amended. All information supporting this application shall become part of the records of the Municipality, cannot be returned and may be examined by the public at any time during the normal working hours of the Municipal Office

Application is hereby made for a permit to erect or alter a structure which shall be located as shown on the attached diagram/plot plan and/or to use the premises for the purposes herewith. The information which precedes, together with the plot plan/diagram, is made part of this application by the undersigned. It is understood and agreed by the applicant that any error, misstatement or misrepresentation of material, fact, either with or without intention on the part of this applicant, such as might or would operate to cause a refusal of this application or any change in the location, size or use of structure or land made subsequent to the issuance of this permit without approval of the Zoning Officer, shall constitute sufficient ground for the revocation of this permit.

Applicant Signature:

Date:

Owner Signature:

Date:

**BOTH SIGNATURES ARE REQUIRED IF APPLICANT IS DIFFERENT THAN OWNER****\*(3) SETS OF DETAILED CONSTRUCTION PLANS MUST BE SUBMITTED WITH ALL PA UCC APPLICATIONS.**

**\*ALL COMMERCIAL CONSTRUCTION PLANS MUST BE PREPARED, SIGNED & SEALED BY A LICENSED DESIGN PROFESSIONAL FAILURE TO FILL OUT THE PERMIT APPLICATION COMPLETELY MAY RESULT IN DELAYS OR REJECTION OF APPLICATION**

**\*\* PA UCC OFFICE USE ONLY \*\***

**PA UCC PERMIT FEES**

Plan Review:
Permit & Inspection:
Municipality Admin:
State:
Total Permit Fee:

**PROJECT DATA**

Use Group:	Code Edition:
Construction Type:	Fire Sprinkler: Y N

**APPROVED PERMITS**

Zoning Permit No.:	NPDES Permit No.:
Sewage Permit No.:	Water/Well Permit No.:

Permit No.:	Approval Date
Approved by:	

**\*\* ZONING OFFICE USE ONLY \*\***

**Meeting Dates (if applicable)**

Historic: \_\_\_\_\_ Approved:  Yes  No

ZHB: \_\_\_\_\_ Approved:  Yes  No

Planning: \_\_\_\_\_ Approved:  Yes  No

Other: \_\_\_\_\_ Approved:  Yes  No

**PA UCC Construction Permit Required:**  Yes  No

**Action Taken:**  Approved  Denied

Zoning Fee: \_\_\_\_\_ Application Fee Paid: \_\_\_\_\_

Balance Due: \_\_\_\_\_ Date Paid: \_\_\_\_\_

**Zoning Officer Signature:** \_\_\_\_\_ **Date:** \_\_\_\_\_

If the permit is denied, the zoning officer shall note the applicable sections/basis of denial below:

---

---

---

---

A copy of the zoning officer's official letter of denial shall be attached to this application.